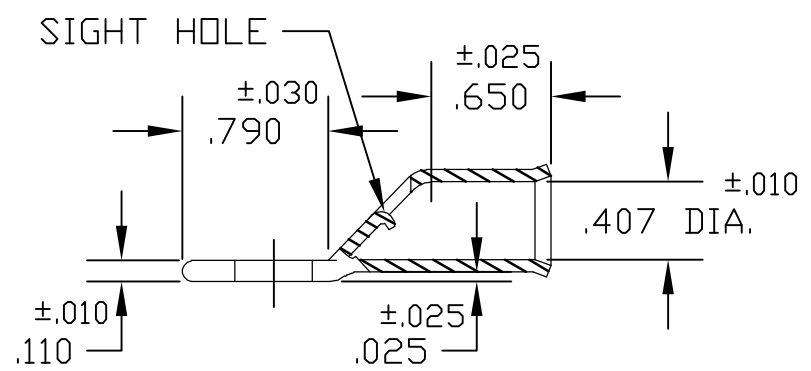
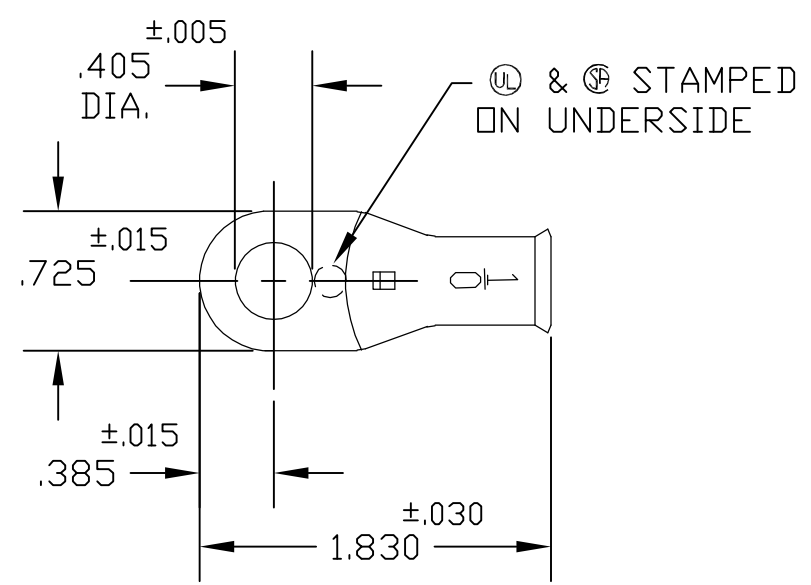


THIS DRAWING IS UNPUBLISHED. RELEASED FOR PUBLICATION
 © COPYRIGHT BY TYCO ELECTRONICS CORPORATION. ALL RIGHTS RESERVED.

LOC	DIST	REVISIONS					
		P	LTR	DESCRIPTION	DATE	DWN	APVD
G	50		A1	REVISED PER ECR-06-010774	05MAY06	HMR	JR



ACTIVE	10381-03	STANDARD	TIN PLATE	1526705-2
ACTIVE	10381-02	STANDARD	PLAIN	1526705-1
STATUS	AET P/N	PACKAGING	FINISH	PART NUMBER

THIS DRAWING IS A CONTROLLED DOCUMENT.		DWN D.A.A 9/19/00	Tyco Electronics Corporation Harrisburg, PA 17105-3608	
DIMENSIONS: INCHES		CHK H.D.F 9/19/00		
		TOLERANCES UNLESS OTHERWISE SPECIFIED: 0 PLC ± - 1 PLC ± - 2 PLC ± - 3 PLC ± - 4 PLC ± - ANGLES ± -		NAME 1/0 STANDARD TERMINAL W/ SIGHT HOLE
MATERIAL COPPER ASTM B-152		FINISH -		PRODUCT SPEC - APPLICATION SPEC - WEIGHT -
		SIZE A3	CAGE CODE 00779	DRAWING NO C-1526705
		CUSTOMER DRAWING		RESTRICTED TO -
		SCALE 1:1	SHEET 1 OF 1	REV A1